



ELECTRONIC DRYER USE AND CARE GUIDE

SECADORA ELECTRÓNICA MANUAL DE USO Y CUIDADO

Table of Contents

DRYER SAFETY	2
CHECK YOUR VENT SYSTEM FOR GOOD AIR FLOW	4
CONTROL PANEL & FEATURES.....	5
CYCLE GUIDE.....	6
USING YOUR DRYER	7
DRYER CARE.....	8
TROUBLESHOOTING	10
WARRANTY	12
ASSISTANCE OR SERVICE.....	Back Cover

Índice

SEGURIDAD DE LA SECADORA.....	13
REVISE QUE EL SISTEMA DE VENTILACIÓN TENGA UN BUEN FLUJO DE AIRE.....	15
PANEL DE CONTROL Y CARACTERÍSTICAS	16
GUÍA DE CICLOS	17
USO DE SU SECADORA	18
CUIDADO DE LA SECADORA.....	19
SOLUCIÓN DE PROBLEMAS.....	21
GARANTÍA	23
AYUDA O SERVICIO TÉCNICO	CONTRAPORTADA

DRYER SAFETY

Your safety and the safety of others are very important.

We have provided many important safety messages in this manual and on your appliance. Always read and obey all safety messages.



This is the safety alert symbol.

This symbol alerts you to potential hazards that can kill or hurt you and others.

All safety messages will follow the safety alert symbol and either the word “DANGER” or “WARNING.”

These words mean:

 **DANGER**

You can be killed or seriously injured if you don't immediately follow instructions.

 **WARNING**

You can be killed or seriously injured if you don't follow instructions.

All safety messages will tell you what the potential hazard is, tell you how to reduce the chance of injury, and tell you what can happen if the instructions are not followed.



WARNING - “Risk of Fire”

- Clothes dryer installation must be performed by a qualified installer.
- Install the clothes dryer according to the manufacturer's instructions and local codes.
- Do not install a clothes dryer with flexible plastic venting materials or flexible metal (foil type) duct. If flexible metal duct is installed, it must be of a specific type identified by the appliance manufacturer as suitable for use with clothes dryers. Flexible venting materials are known to collapse, be easily crushed, and trap lint. These conditions will obstruct clothes dryer airflow and increase the risk of fire.
- To reduce the risk of severe injury or death, follow all installation instructions.
- Save these instructions.

IMPORTANT: When discarding or storing your old clothes dryer, remove the door.

IMPORTANT SAFETY INSTRUCTIONS

WARNING: To reduce the risk of fire, electric shock, or injury to persons when using the dryer, follow basic precautions, including the following:

- Read all instructions before using the dryer.
- Do not place items exposed to cooking oils in your dryer. Items contaminated with cooking oils may contribute to a chemical reaction that could cause a load to catch fire.
- Do not dry articles that have been previously cleaned in, washed in, soaked in, or spotted with gasoline, dry-cleaning solvents, or other flammable or explosive substances as they give off vapors that could ignite or explode.
- Do not allow children to play on or in the dryer. Close supervision of children is necessary when the dryer is used near children.
- Before the dryer is removed from service or discarded, remove the door to the drying compartment.
- Do not reach into the dryer if the drum is moving.
- Do not install or store the dryer where it will be exposed to the weather.
- Do not tamper with controls.
- Do not repair or replace any part of the dryer or attempt any servicing unless specifically recommended in this Use and Care Guide or in published user-repair instructions that you understand and have the skills to carry out.
- Do not use fabric softeners or products to eliminate static unless recommended by the manufacturer of the fabric softener or product.
- Do not use heat to dry articles containing foam rubber or similarly textured rubber-like materials.
- Clean lint screen before or after each load.
- Keep area around the exhaust opening and adjacent surrounding areas free from the accumulation of lint, dust, and dirt.
- The interior of the dryer and exhaust vent should be cleaned periodically by qualified service personnel.
- See “Electrical Requirements” located in the installation instructions for grounding instructions.

SAVE THESE INSTRUCTIONS

WARNING: For your safety, the information in this manual must be followed to minimize the risk of fire or explosion, or to prevent property damage, personal injury, or death.

- Do not store or use gasoline or other flammable vapors and liquids in the vicinity of this or any other appliance.
- **WHAT TO DO IF YOU SMELL GAS:**
 - Do not try to light any appliance.
 - Do not touch any electrical switch; do not use any phone in your building.
 - Clear the room, building, or area of all occupants.
 - Immediately call your gas supplier from a neighbor's phone. Follow the gas supplier's instructions.
 - If you cannot reach your gas supplier, call the fire department.
- Installation and service must be performed by a qualified installer, service agency, or the gas supplier.

WARNING: Gas leaks cannot always be detected by smell.

Gas suppliers recommend that you use a gas detector approved by UL or CSA.

For more information, contact your gas supplier.

If a gas leak is detected, follow the “What to do if you smell gas” instructions.

State of California Proposition 65 Warnings:

WARNING: This product contains one or more chemicals known to the State of California to cause cancer.

WARNING: This product contains one or more chemicals known to the State of California to cause birth defects or other reproductive harm.

CHECK YOUR VENT SYSTEM FOR GOOD AIR FLOW

⚠ WARNING



Fire Hazard

Use a heavy metal vent.

Do not use a plastic vent.

Do not use a metal foil vent.

Failure to follow these instructions can result in death or fire.

Good air flow

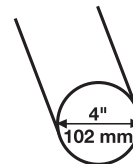
Along with heat, dryers require good air flow to efficiently dry laundry. Proper venting will reduce your drying times and improve your energy savings. See Installation Instructions.

The venting system attached to the dryer plays a big role in good air flow.

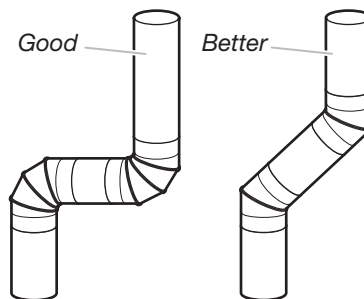
Service calls caused by improper venting are not covered by the warranty and will be paid by the customer, regardless of who installed the dryer.

Maintain good air flow by:

- Cleaning your lint screen before each load.
- Replace plastic or foil vent material with 4" (102 mm) diameter heavy, rigid vent material.



- Use the shortest length of vent possible.
- Use no more than four 90° elbows in a vent system; each bend and curve reduces air flow.



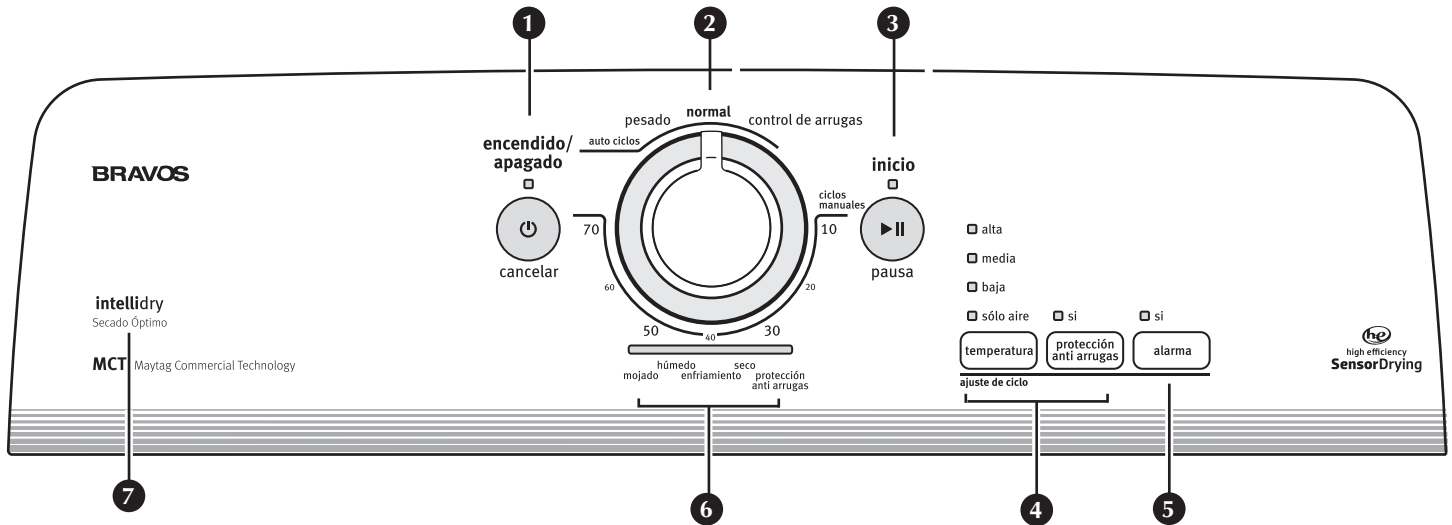
- Remove lint and debris from the exhaust hood.
- Remove lint from the entire length of the vent system at least every 2 years. When cleaning is complete, be sure to follow the Installation Instructions supplied with your dryer for final product check.
- Clear away items from the front the dryer.

Use Auto Ciclos (Auto Cycles) for better fabric care and energy savings

Use the Auto Ciclos (Auto Cycles) to provide the most energy savings and enhanced fabric care from the dryer. During Auto Ciclos (Auto Cycles), drying air temperature and moisture level are sensed in the load. This sensing occurs throughout the drying cycle and the dryer shuts off when the load reaches the selected dryness.

With Ciclos Manuales, the dryer runs the amount of time set and sometimes results in shrinkage, wrinkling, and static due to over-drying. Use Ciclos Manuales (Timed Cycles) for the occasional damp load that needs a little more drying time or when using the drying rack.

CONTROL PANEL & FEATURES



Not all features and options are available on all models.
Appearance may vary.

1 BOTÓN DE ENCENDIDO/APAGADO/CANCELAR (Power/Off/Cancel Button)

Press to turn the dryer on and off, or to cancel a cycle.

2 DRYER CYCLE KNOB

Use your dryer cycle knob to select available cycles on your dryer. Turn the knob to select a cycle for your laundry load. See "Cycle Guide" for detailed descriptions of cycles.

3 BOTÓN DE INICIO/PAUSA (Start/Pause Button)

Press to start a cycle, or press once while a cycle is in process to pause it.

4 AJUSTE DE CICLO (Cycle Modifiers)

Temperatura (Temperature)

Select a drying temperature based on the fabrics in your load. If you are unsure of the temperature to select for a load, select the lower setting rather than the higher setting.

NOTE: The Sólo aire (Air Dry) feature is not available on the Auto Ciclos (Auto Cycles).

Protección anti arrugas (Wrinkle Prevent)

When you are unable to remove a load of clothes from the dryer as soon as it stops, wrinkles can form. The Protección anti arrugas (Wrinkle Prevent) feature periodically tumbles, rearranges, and fluffs the load to help keep wrinkles from forming.

- Get up to 60 or 150 minutes for models with two choices, 90 minutes for models with only one choice of heat-free, periodic tumbling at the end of a cycle. Press the PROTECCIÓN ANTI ARRUGAS (Wrinkle Prevent) button at any time before the cycle has ended, "Si" (Yes) will light up.

5 SIGNALS

Alarma (Signal)

The Alarma (Signal) produces an audible sound when the drying cycle is finished. Promptly removing clothes at the end of the cycle reduces wrinkling.

Press ALARMA (Signal) to select, "Si" (Yes) will light up.

NOTE: When the Protección anti arrugas (Wrinkle Prevent) setting is selected and the Alarma (Signal) is on, the tone will sound every 20 minutes until the clothes are removed, or the Protección anti arrugas (Wrinkle Prevent) setting ends.

6 CYCLE STATUS LIGHTS

Lights indicate the progress of the drying cycles.

7 INTELLIDRY™

Senses moisture in the load or air temperature and shuts off when the load reaches the selected dryness level. Gives the best drying in the shortest time. Drying varies based on fabric type, load size, and dryness setting.

CYCLE GUIDE — AUTO CICLOS (AUTO CYCLES)

Not all cycles and settings are available on all models. Settings and options shown in **bold** are default settings for that cycle.

AUTO CICLOS (Auto Cycle) - Senses moisture in the load or air temperature and shuts off when the load reaches the selected dryness level. Gives the best drying in the shortest time. Drying time varies based on fabric type, load size, and dryness setting.

Depending on model, temperature may be selected on cycle knob or be a separate control.

Items to dry:	Cycle:	Default Time:	Available Options:	Cycle Details:
Jeans, heavy work clothes, towels	Pesado (Heavy)	N/A	Temperatura (Temperature) Protección anti arrugas (Wrinkle Prevent)	Gives the best drying in the shortest time. Drying time varies based on fabric type, load size, and dryness setting. Select a drying temperature based on the fabrics in your load. If you are unsure of the temperature to select for a load, select the lower setting rather than the higher setting.
Work clothes, medium weight fabrics, sheets	Normal	N/A	Temperatura (Temperature) Protección anti arrugas (Wrinkle Prevent)	
Casual, shirts, pants, lightweight items	Control de arrugas (Wrinkle Control)	N/A	Temperatura (Temperature) Protección anti arrugas (Wrinkle Prevent)	

CYCLE GUIDE — CICLOS MANUALES (TIMED CYCLES)

Not all cycles and settings are available on all models. Settings and options shown in **bold** are default settings for that cycle.

CICLO MANUAL (Timed Cycle) - Will run the dryer for the specified time on the control. Depending on model, temperature may be selected on cycle knob or be a separate control.

Items to dry:	Cycle:	Drying Temperature:	Available Options:	Cycle Details:
Any load	Ciclos manuales (Timed cycles)	Any	Temperatura (Temperature) Protección anti arrugas (Wrinkle Prevent)	Dries items to a damp level for items that do not require an entire drying cycle. Select a drying temperature based on the fabrics in your load. If you are unsure of the temperature to select for a load, select the lower setting rather than the higher setting.
Rubber, plastic, heat sensitive fabrics	Ciclos manuales (Timed cycles)	Sólo aire (Air only)	Temperatura (Temperature) Protección anti arrugas (Wrinkle Prevent)	Use a Sólo aire (Air only) setting for foam, rubber, plastic, or heat-sensitive fabrics.

Setting the Drying Temperature

If your dryer has multiple heat settings:

An Alta (High) heat setting may be used for drying heavyweight items such as towels and work clothes.

A (Baja) Low to Media (Medium) heat setting may be used for drying medium-weight items such as sheets, blouses, dresses, underwear, permanent press fabrics, and some knits.

Use a Sólo aire (Air only) setting for foam, rubber, plastic, or heat-sensitive fabrics.

Line dry bonded or laminated fabrics.

NOTE: If you have questions about drying temperatures for various loads, refer to the care label directions.

USING YOUR DRYER

⚠ WARNING



Explosion Hazard

Keep flammable materials and vapors, such as gasoline, away from dryer.

Do not dry anything that has ever had anything flammable on it (even after washing).

Failure to follow these instructions can result in death, explosion, or fire.

⚠ WARNING



Fire Hazard

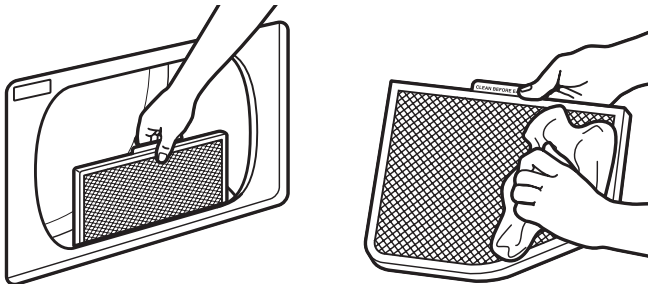
No washer can completely remove oil.

Do not dry anything that has ever had any type of oil on it (including cooking oils).

Items containing foam, rubber, or plastic must be dried on a clothesline or by using an Air Cycle.

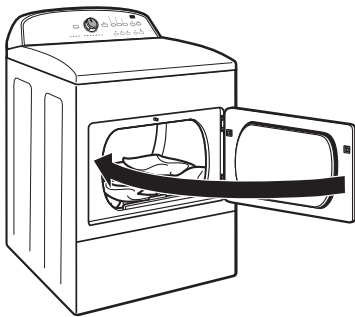
Failure to follow these instructions can result in death or fire.

1. Clean the lint screen



Clean the lint screen before each load. Pull the lint screen straight up. Roll lint off the screen with your fingers. Do not rinse or wash screen to remove lint. Push the lint screen firmly back into place. For additional cleaning information, see "Dryer Care".

2. Load the dryer



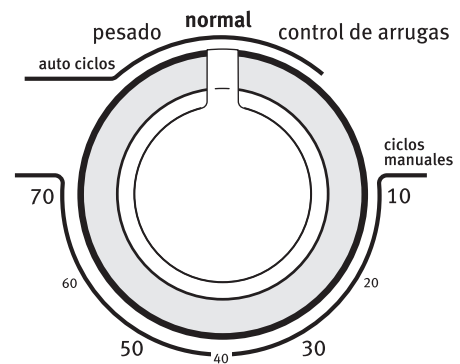
Place laundry in the dryer. Close the door. Do not overload the dryer; clothes should be able to tumble freely.

3. Press ENCENDIDO (Power)



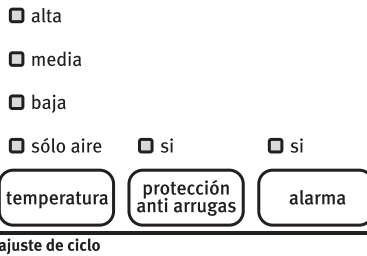
Press the ENCENDIDO (Power) button to turn on the dryer.

4. Select the desired cycle



Select the desired cycle for your load. See the "Cycle Guide" or the display for more information about each cycle.

5. Setting modifiers



The default cycle settings will be shown. For some cycles, you may select alternate settings by pressing the button for that setting. Time adjusts for Ciclos Manuales (Manual Cycles) only.

NOTE: Not all modifiers are available with all cycles.

6. Press INICIO/PAUSA (Start/Pause) to begin cycle



Press the INICIO/PAUSA (Start/Pause) button to begin the cycle.

7. Remove garments promptly after cycle is finished



Promptly remove garments after cycle has completed to reduce wrinkling. Use the Protección anti arrugas (Wrinkle Prevent) feature to avoid wrinkling when you are unable to remove a load from the dryer as soon as it stops.

DRYER CARE

Cleaning the dryer location

Keep dryer area clear and free from items that would block the air flow for proper dryer operation. This includes clearing piles of laundry in front of the dryer.

WARNING



Explosion Hazard

Keep flammable materials and vapors, such as gasoline, away from dryer.

Place dryer at least 18 inches (460 mm) above the floor for a garage installation.

Failure to do so can result in death, explosion, or fire.

Cleaning the dryer interior

To clean dryer drum

1. Apply a liquid, nonflammable household cleaner to the stained area of the drum and rub with a soft cloth until stain is removed.
2. Wipe drum thoroughly with a damp cloth.
3. Tumble a load of clean cloths or towels to dry the drum.

NOTE: Garments that contain loose dyes, such as denim blue jeans or brightly colored cotton items, may discolor the dryer interior. These stains are not harmful to your dryer and will not stain future loads of clothes. Dry these items inside out to avoid drum staining.

Removing accumulated lint

From Inside the Dryer Cabinet

Lint should be removed every 2 years, or more often, depending on dryer usage. Cleaning should be done by a qualified servicer.

From the Exhaust Vent

Lint should be removed every 2 years, or more often, depending on dryer usage.

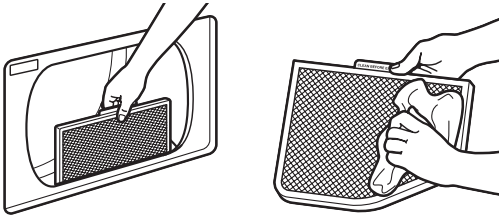
Cleaning the lint screen

Every load cleaning

The lint screen is located in the door opening of the dryer. A screen blocked by lint can increase drying time.

To clean:

1. Pull the lint screen straight up. Roll lint off the screen with your fingers. Do not rinse or wash screen to remove lint.



2. Push the lint screen firmly back into place.

IMPORTANT:

- Do not run the dryer with the lint screen loose, damaged, blocked, or missing. Doing so can cause overheating and damage to both the dryer and fabrics.
- If lint falls off the screen into the dryer during removal, check the exhaust hood and remove the lint. See "Venting Requirements."

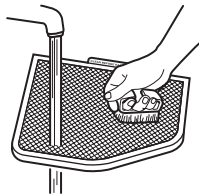
As needed cleaning

Laundry detergent and fabric softener residue can build up on the lint screen. This buildup can cause longer drying times for your clothes, or cause the dryer to stop before your load is completely dry. The screen is probably clogged if lint falls off while the screen is in the dryer.

Clean the lint screen with a nylon brush every 6 months, or more frequently, if it becomes clogged due to a residue buildup.

To wash:

1. Roll lint off the screen with your fingers.
2. Wet both sides of lint screen with hot water.
3. Wet a nylon brush with hot water and liquid detergent. Scrub lint screen with the brush to remove residue buildup.



4. Rinse screen with hot water.
5. Thoroughly dry lint screen with a clean towel. Reinstall screen in dryer.

Vacation, storage, and moving care

Install and store your dryer where it will not freeze. Because some water may stay in the hoses, freezing can damage your dryer. If storing or moving your dryer during freezing weather, winterize it.

Non-Use or Storage Care

Operate your dryer only when you are at home. If you will be on vacation or not using your dryer for an extended period of time, you should:

1. Unplug dryer or disconnect power.
2. Clean lint screen. See "Cleaning the Lint Screen."

Moving Care

For power supply cord-connected dryers:

1. Unplug the power supply cord.
2. Steam models only: Shut off water faucet.
3. Steam models only: Disconnect the water inlet hose from faucet, then drain the hose. Remove the hose from the back of the dryer. Transport hose separately.
4. Make sure leveling legs are secure in dryer base.
5. Use tape to secure dryer door.

⚠ WARNING



Electrical Shock Hazard

Disconnect power before servicing.

Replace all parts and panels before operating.

Failure to do so can result in death or electrical shock.

For direct-wired dryers:

1. Turn off power at fuse or breaker box.
2. Disconnect wiring.
3. Steam models only: Shut off water faucet.
4. Steam models only: Disconnect the water inlet hose from faucet, then drain the hose. Transport hose separately.
5. Make sure leveling legs are secure in dryer base.
6. Use tape to secure dryer door.

Reinstalling the Dryer

Follow the Installation Instructions to locate, level, and connect the dryer.

Changing the Auto Ciclo (Auto Cycle) Settings to Increase Drying Time

If all your loads on all Auto Ciclos (Auto Cycles) are consistently not as dry as you would like, you may change the default settings to increase the default dryness level.

Your Auto Ciclo (Auto Cycle) drying settings can be adjusted to adapt to different installations, environmental conditions, or personal preference. This change is retained and will affect all of your Auto Ciclos (Auto cycles), not just the current cycle/load. There are 3 drying settings, which are displayed using the "Status" lights (Mojado [Wet], Húmedo [Damp], Enfriamiento [Cool Down])

- 1 Factory preset dryness level.
- 2 Slightly drier clothes, 15% more drying time.
- 3 Much drier clothes, 30% more drying time.

To change the drying settings:

NOTE: The settings cannot be changed while the dryer is running or paused. The dryer must be in standby mode (the Encendido [Power] button is off) to adjust the default settings.

1. Before starting a cycle, press and hold the TEMPERATURA (Temperature) button for 6 seconds.
2. Press the TEMPERATURA (Temperature) button to select the dryness level shown in the LED display:
Mojado (Wet) light on = level 1, Mojado (Wet) and Húmedo (Damp) lights on = level 2, and Mojado (Wet), Húmedo (Damp), and Enfriamiento (Cool Down) lights on = level 3.
3. Press INICIO/PAUSA (Start/Pause) to save the new dryness level setting.

TROUBLESHOOTING

First try the solutions suggested here or visit our website and reference FAQs (Frequently Asked Questions) to possibly avoid the cost of a service call... <http://www.maytag.com/help>

If you experience	Possible Causes	Solution
Clothes are not drying satisfactorily, drying times are too long, or load is too hot	Lint screen clogged with lint.	Lint screen should be cleaned before each load.
	The Sólo aire (Air only) cycle has been selected.	Select the right cycle for the types of garments being dried. See "Cycle Guide".
	Load too large and heavy to dry quickly.	Separate the load to tumble freely.
	Exhaust vent or outside exhaust hood is clogged with lint, restricting air movement.	Run the dryer for 5-10 minutes. Hold your hand under the outside exhaust hood to check air movement. If you do not feel air movement, clean exhaust system of lint or replace exhaust vent with heavy metal or flexible metal vent. See the Installation Instructions.
	Fabric softener sheets blocking the grille.	Use only one fabric softener sheet, and use it only once.
	Exhaust vent is not the correct length	Check that the exhaust vent is not too long or has too many turns. Long venting will increase drying times. See the Installation Instructions.
	Exhaust vent diameter is not the correct size.	Use 4" (102 mm) diameter vent material.
	Dryer located in a room with temperature below 45°F (7°C).	Proper operation of dryer cycles requires temperatures above 45°F (7°C).
	Dryer located in a closet.	Closet doors must have ventilation openings at the top and bottom of the door. The front of the dryer requires a minimum of 1" (25 mm) of airspace, and, for most installations, the rear of the dryer requires 5" (127 mm). See the Installation Instructions.
Dryer will not run	Door not closed completely.	Make sure the dryer door is closed completely.
	Inicio/Pausa (Start/Pause) button not pressed firmly or long enough.	Press and HOLD the INICIO/PAUSA (Start/Pause) button until you hear the dryer drum moving.
	Household fuse is blown or circuit breaker has tripped.	Electric dryers use 2 household fuses or circuit breakers. The drum may be turning, but you may not have heat. Replace the fuse or reset the circuit breaker. If the problem continues, call an electrician.
	Incorrect power supply.	Electric dryers require 240-volt power supply. Check with a qualified electrician.
	Wrong type of fuse.	Make sure you have right fuse.

TROUBLESHOOTING cont.

First try the solutions suggested here or visit our website and reference FAQs (Frequently Asked Questions) to possibly avoid the cost of a service call... <http://www.maytag.com/help>

If you experience	Possible Causes	Solution
Unusual sounds	Dryer have a period of non-use.	If the dryer hasn't been used for awhile, there may be a thumping sound during the first few minutes of operation.
	A coin, button, or paper clip is caught between the drum and front or rear of the dryer.	Check the front and rear edges of the drum for small objects. Clean out pockets before laundering.
	It is a gas dryer.	The gas valve clicking is a normal operating sound.
	The four legs are not installed, or the dryer is not level front to back and side to side.	The dryer may vibrate if not properly installed. See the Installation Instructions.
	Clothing knotted or balled up.	When balled up, the load will bounce, causing the dryer to vibrate. Separate the load items and restart the dryer.
No heat	Household fuse is blown or circuit breaker has tripped.	The drum may be turning, but you may not have heat. Electric dryers use 2 household fuses or circuit breakers. Replace both fuses or reset the circuit breaker. If the problem continues, call an electrician.
	Supply line valve not open.	For gas dryers, is the valve open on the supply line.
	Incorrect power supply.	Electric dryers require 240-volt power supply. Check with a qualified electrician.
Cycle time too short	Auto Ciclo (Auto Cycle) ending early.	The load may not be contacting the sensor strips. Level the dryer. Use Ciclos Manuales (Timed Cycles) for very small loads. Change the settings on Auto Ciclos (Auto Cycles). Increasing or decreasing the dryness level will change the amount of drying time in a cycle. If loads are consistently ending too early, see "Changing the Auto Ciclo (Auto Cycle) Settings to Increase Drying Time".
Lint on load	Lint screen clogged.	Lint screen should be cleaned before each load.
Stains on load or drum	Dryer fabric softener not properly used.	Add dryer fabric softener sheets at the beginning of the cycle. Fabric softener sheets added to a partially dried load can stain your garments. Drum stains are caused by dyes in clothing (usually blue jeans). These will not transfer to other clothing.
Loads are wrinkled	Load not removed from dryer at the end of the cycle.	Select Protección anti arrugas (Wrinkle Prevent) feature to tumble the load without heat to avoid wrinkling.
	Dryer overloaded.	Dry smaller loads that can tumble freely.
Odors	Recent painting, staining, or varnishing in the area where your dryer is located.	If so, ventilate the area. When the odors or fumes are gone from the area, rewash and dry the clothing.
	Electric dryer being used for the first time.	The new electric heating element may have an odor. The odor will be gone after the first cycle.
Load is too hot	Laundry items were removed from the dryer before the end of the cycle.	Allow the Enfriamiento (Cool Down) segment to finish before removing laundry from dryer. All cycles are cooled slowly to reduced wrinkling and make it easier to handle. Items removed before Enfriamiento (Cool Down) may feel very warm.
	An Alto (High) temperature cycle was used, or a separate temperature control was set on Alto (High).	Select a lower temperature, and use an automatic drying cycle. These cycles sense the temperature or the moisture level in the load and shut off when the load reaches the selected dryness. This reduces overdrying.

MAYTAG® LAUNDRY WARRANTY

LIMITED WARRANTY

For one year from the date of purchase, when this major appliance is installed, operated, and maintained according to instructions attached to or furnished with the product, Maytag brand of Whirlpool Corporation or Whirlpool Canada LP (hereafter "Maytag") will pay for factory specified replacement parts and repair labor to correct defects in materials or workmanship that existed when this major appliance was purchased.

YOUR SOLE AND EXCLUSIVE REMEDY UNDER THIS LIMITED WARRANTY SHALL BE PRODUCT REPAIR AS PROVIDED HEREIN. Service must be provided by a Maytag designated service company. This limited warranty is valid only in the United States or Canada and applies only when the major appliance is used in the country in which it was purchased. This limited warranty is effective from the date of original consumer purchase. Proof of original purchase date is required to obtain service under this limited warranty.

ITEMS EXCLUDED FROM WARRANTY

This limited warranty does not cover:

1. Replacement parts or repair labor if this major appliance is used for other than normal, single-family household use or when it is used in a manner that is inconsistent to published user or operator instructions and/or installation instructions.
2. Service calls to correct the installation of your major appliance, to instruct you on how to use your major appliance, to replace or repair house fuses, or to correct house wiring or plumbing.
3. Service calls to repair or replace appliance light bulbs, air filters, or water filters. Consumable parts are excluded from warranty coverage.
4. Damage resulting from accident, alteration, misuse, abuse, fire, flood, acts of God, improper installation, installation not in accordance with electrical or plumbing codes, or use of products not approved by Maytag.
5. Cosmetic damage, including scratches, dents, chips or other damage to the finish of your major appliance, unless such damage results from defects in materials or workmanship and is reported to Maytag within 30 days from the date of purchase.
6. Pick up and delivery. This major appliance is intended to be repaired in your home.
7. Repairs to parts or systems resulting from unauthorized modifications made to the appliance.
8. Expenses for travel and transportation for product service if your major appliance is located in a remote area where service by an authorized Maytag servicer is not available.
9. The removal and reinstallation of your major appliance if it is installed in an inaccessible location or is not installed in accordance with Maytag published installation instructions.
10. Replacement parts or repair labor on major appliances with original model/serial numbers that have been removed, altered, or cannot be easily determined.

The cost of repair or replacement under these excluded circumstances shall be borne by the customer.

DISCLAIMER OF IMPLIED WARRANTIES

IMPLIED WARRANTIES, INCLUDING ANY IMPLIED WARRANTY OF MERCHANTABILITY OR IMPLIED WARRANTY OF FITNESS FOR A PARTICULAR PURPOSE, ARE LIMITED TO ONE YEAR OR THE SHORTEST PERIOD ALLOWED BY LAW. Some states and provinces do not allow limitations on the duration of implied warranties of merchantability or fitness, so this limitation may not apply to you. This warranty gives you specific legal rights, and you also may have other rights that vary from state to state or province to province.

DISCLAIMER OF REPRESENTATIONS OUTSIDE OF WARRANTY

Maytag makes no representations about the quality, durability, or need for service or repair of this major appliance other than the representations contained in this Warranty. If you want a longer or more comprehensive warranty than the limited warranty that comes with this major appliance, you should ask Maytag or your retailer about buying an extended warranty.

LIMITATION OF REMEDIES; EXCLUSION OF INCIDENTAL AND CONSEQUENTIAL DAMAGES

YOUR SOLE AND EXCLUSIVE REMEDY UNDER THIS LIMITED WARRANTY SHALL BE PRODUCT REPAIR AS PROVIDED HEREIN. MAYTAG SHALL NOT BE LIABLE FOR INCIDENTAL OR CONSEQUENTIAL DAMAGES. Some states and provinces do not allow the exclusion or limitation of incidental or consequential damages, so these limitations and exclusions may not apply to you. This warranty gives you specific legal rights, and you also may have other rights that vary from state to state or province to province.

If outside the 50 United States and Canada, contact your authorized Maytag dealer to determine if another warranty applies.

If you think you need repair service, first see the "Troubleshooting" section of the Use & Care Guide. If you are unable to resolve the problem after checking "Troubleshooting," additional help can be found by checking the "Assistance or Service" section or by calling Maytag. In the U.S.A., call **1-800-688-9900**. In Canada, call **1-800-807-6777**.

10/11

Keep this book and your sales slip together for future reference. You must provide proof of purchase or installation date for in-warranty service.

Write down the following information about your major appliance to better help you obtain assistance or service if you ever need it. You will need to know your complete model number and serial number. You can find this information on the model and serial number label located on the product.

Dealer name _____
Address _____
Phone number _____
Model number _____
Serial number _____
Purchase date _____

SEGURIDAD DE LA SECADORA

Su seguridad y la seguridad de los demás es muy importante.

Hemos incluido muchos mensajes importantes de seguridad en este manual y en su electrodoméstico. Lea y obedezca siempre todos los mensajes de seguridad.



Este es el símbolo de advertencia de seguridad.

Este símbolo le llama la atención sobre peligros potenciales que pueden ocasionar la muerte o una lesión a usted y a los demás.

Todos los mensajes de seguridad irán a continuación del símbolo de advertencia de seguridad y de la palabra "PELIGRO" o "ADVERTENCIA". Estas palabras significan:

 **PELIGRO**

Si no sigue las instrucciones de inmediato, usted puede morir o sufrir una lesión grave.

 **ADVERTENCIA**

Si no sigue las instrucciones, usted puede morir o sufrir una lesión grave.

Todos los mensajes de seguridad le dirán el peligro potencial, le dirán cómo reducir las posibilidades de sufrir una lesión y lo que puede suceder si no se siguen las instrucciones.



ADVERTENCIA - "Riesgo de incendio"

- La instalación de la secadora de ropa debe estar a cargo de un instalador competente.
- Instale la secadora de ropa según las instrucciones del fabricante y los códigos locales.
- No instale una secadora de ropa con materiales de ventilación de plástico flexible o un conducto de metal flexible (de hoja de metal). Si se usa un conducto de metal flexible, éste deberá ser de un tipo específico, que esté identificado por el fabricante de electrodomésticos como apto para ser usado con secadoras de ropa. Es sabido que los materiales de ventilación flexible se derrumban, se aplastan con facilidad y atrapan pelusa. Estas condiciones obstruirán el flujo de aire de la secadora de ropa y aumentarán el riesgo de incendio.
- Para reducir el riesgo de lesiones severas o la muerte, siga todas las instrucciones de instalación.
- Guarde estas instrucciones.

IMPORTANTE: Cuando descarte o guarde su vieja secadora, quítele la puerta.

Advertencias de la Proposición 65 del estado de California:

ADVERTENCIA: Este producto contiene una o más sustancias químicas identificadas por el estado de California como causantes de cáncer.

ADVERTENCIA: Este producto contiene una o más sustancias químicas identificadas por el estado de California como causantes de defectos congénitos o algún otro tipo de daños en la función reproductora.

INSTRUCCIONES IMPORTANTES DE SEGURIDAD

ADVERTENCIA: A fin de reducir el riesgo de incendio, descarga eléctrica o de daño a las personas que usen la secadora, deben seguirse las precauciones básicas, incluidas las siguientes:

- Lea todas las instrucciones antes de usar la secadora.
- No coloque los objetos expuestos a aceite para cocinar en su secadora. Los objetos expuestos a aceites para cocinar pueden contribuir a una reacción química que podría causar que una carga se inflame.
- No seque artículos que ya se hayan limpiado, lavado, remojado o manchado con gasolina, disolventes de limpieza en seco, u otras sustancias inflamables o explosivas ya que despiden vapores que pueden encenderse o causar una explosión.
- No permita que jueguen los niños sobre o dentro de la secadora. Es necesaria la cuidadosa vigilancia de los niños toda vez que se use la secadora cerca de ellos.
- Quite la puerta de la secadora al compartimiento de secado antes de ponerla fuera de funcionamiento o de descartarla.
- No introduzca las manos en la secadora cuando el tambor está en movimiento.
- No instale o almacene esta secadora donde estará expuesta a agua o a la intemperie.
- No trate de forzar los controles.
- No repare o reemplace ninguna pieza de la secadora ni trate de repararla a menos que esto se recomiende específicamente en este Manual de uso y cuidado o en instrucciones de reparación publicadas para el usuario que usted comprenda y sólo si cuenta con la experiencia necesaria para llevar a cabo dicha reparación.
- No utilice suavizantes de telas o productos para eliminar el estático de prendas a menos que lo recomiende el fabricante del suavizante de telas o las instrucciones del producto en uso.
- No utilice calor para secar prendas que contengan espuma de caucho o materiales de caucho con textura similar.
- Limpie el filtro de pelusa antes o después de cada carga de ropa.
- Mantenga el área alrededor de la apertura de ventilación y las áreas adyacentes a esta apertura sin pelusa, polvo o tierra.
- La parte interior de la secadora y el ducto de escape se deben limpiar periódicamente. Esta limpieza la debe llevar a cabo un reparador calificado.
- Para obtener información respecto a las instrucciones de conexión a tierra, consulte "Requisitos eléctricos" en las instrucciones de instalación.

GUARDE ESTAS INSTRUCCIONES

ADVERTENCIA: Para su seguridad, la información en este manual debe ser observada para minimizar el riesgo de incendio o explosión, o para prevenir daños a propiedades, heridas o la muerte.

- No almacene o use gasolina u otros líquidos y vapores inflamables cerca de éste u otro aparato electrodoméstico.
- **PASOS QUE USTED DEBE SEGUIR SI HUELE A GAS:**
 - No trate de encender ningún aparato electrodoméstico.
 - No toque ningún interruptor eléctrico; no use ningún teléfono en su edificio.
 - Desaloje a todos los ocupantes del cuarto, edificio o área.
 - Llame inmediatamente a su proveedor de gas desde el teléfono de un vecino. Siga las instrucciones de su proveedor de gas.
 - Si usted no puede comunicarse con su proveedor de gas, llame al departamento de bomberos.
- La instalación y el servicio deben ser efectuados por un instalador calificado, una agencia de servicio o por el proveedor de gas.

ADVERTENCIA: Las pérdidas de gas no siempre se pueden detectar por el olfato.

Los proveedores de gas recomiendan que usted use un detector de gas aprobado por UL (Laboratorio de normalización) o CSA (Asociación canadiense de seguridad).

Para obtener más información, póngase en contacto con su proveedor de gas.

Si se detecta una fuga de gas, siga las instrucciones de "Pasos que usted debe seguir si huele a gas".

REVISE QUE EL SISTEMA DE VENTILACIÓN TENGA UN BUEN FLUJO DE AIRE

⚠️ ADVERTENCIA



Peligro de Incendio

Use un ducto de escape de metal pesado.

No use un ducto de escape de plástico.

No use un ducto de escape de aluminio.

No seguir estas instrucciones puede ocasionar la muerte o incendio.

Buen flujo de aire

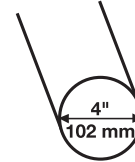
Además del calor, las secadoras también necesitan un buen flujo de aire para secar las prendas eficazmente. La ventilación adecuada reducirá la duración del secado y mejorará su ahorro de energía. Consulte las Instrucciones de instalación.

El sistema de ventilación sujeto a la secadora juega un papel muy importante para el flujo de aire adecuado.

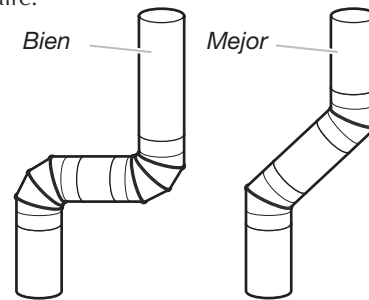
Las visitas de servicio debidas a la ventilación inadecuada no están cubiertas por la garantía y correrán por cuenta del cliente, sin importar quién haya instalado la secadora.

Mantenga un buen flujo de aire haciendo lo siguiente:

- Limpiar el filtro de pelusa antes de cada carga.
- Reemplazar el material del ducto de plástico u hoja de metal con uno de metal pesado rígido de 4" (102 mm) de diámetro.



- Use un ducto con la longitud más corta posible.
- No utilice más de 4 codos de 90° en un sistema de ventilación; cada ángulo y curva reduce el flujo de aire.



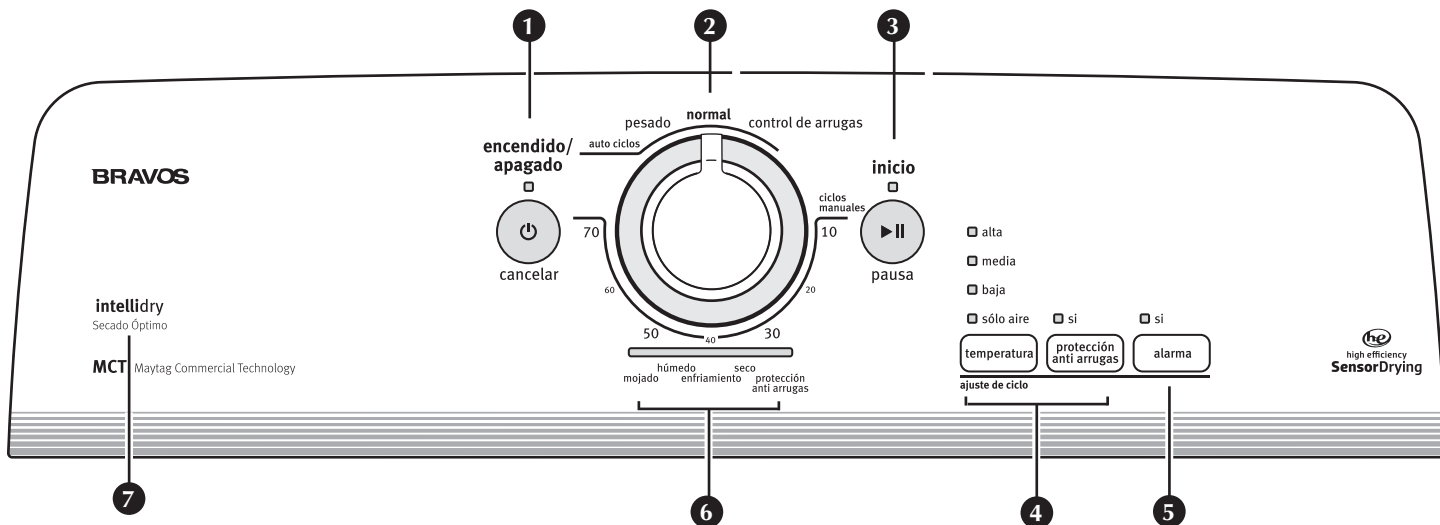
- Quite la pelusa y los desechos de la capota de ventilación.
- Quite la pelusa de toda la longitud del sistema de ventilación al menos cada 2 años. Cuando haya terminado la limpieza, revise por última vez el producto asegurándose de seguir las Instrucciones de instalación que acompañan a su secadora.
- Retire los artículos que estén frente a la secadora.

Utilice los Auto Ciclos para un mejor cuidado de las telas y ahorro de energía

Utilice los Auto Ciclos para obtener el mayor ahorro de energía y un mejor cuidado de las telas con la secadora. Durante los Auto Ciclos, se detectan la temperatura del aire de secado y el nivel de humedad en la carga. Esta detección se realiza durante todo el ciclo de secado y la secadora se apaga cuando la carga alcanza el nivel de sequedad seleccionado.

Con el Ciclos Manuales, la secadora funciona durante el tiempo seleccionado y algunas veces puede dar lugar a encogimiento, arrugas y estática a causa del exceso de secado. Utilice el Ciclos Manuales ocasionalmente, para las cargas húmedas que necesiten un poco más de tiempo de secado o cuando utilice el estante de secado.

PANEL DE CONTROL Y CARACTERÍSTICAS



No todas las características y opciones están disponibles en todos los modelos.
La apariencia puede variar.

1 BOTÓN DE ENCENDIDO/APAGADO/CANCELAR

Presione para encender y apagar la secadora.

2 PERILLA DE CICLOS DE LA SECADORA

Utilice la perilla de ciclos de la secadora para seleccionar entre los ciclos disponibles en su secadora. Gire la perilla para seleccionar un ciclo para su carga. Consulte "Guía de ciclos" para ver descripciones detalladas de los ciclos.

3 BOTÓN DE INICIO/PAUSA

Presione para iniciar un ciclo, o presione una vez mientras un ciclo está funcionando para hacer una pausa en el mismo.

4 AJUSTE DE CICLO

Temperatura

Seleccione una temperatura de secado según las telas de su carga. Si tiene duda respecto a la temperatura que debe seleccionar para una carga de ropa, elija el ajuste más bajo en vez del ajuste más alto.

NOTA: La característica de temperatura de Sólo aire no está disponible para los Auto Ciclos.

Protección anti arrugas

Si no es posible retirar la carga de la secadora tan pronto como ésta se detenga, se pueden formar arrugas. La característica de Protección anti arrugas periódicamente da vueltas, acomoda y esponja la ropa para ayudar a evitar que se formen arrugas.

- Obtenga hasta 60 ó 150 minutos para los modelos con dos opciones, 90 minutos para los modelos con sólo una opción de rotación periódica sin calor al final de un ciclo. Presione el botón de PROTECCIÓN ANTI ARRUGAS en cualquier momento antes de que termine el ciclo, "Si" se encenderá.

5 SEÑALES

Alarma

La Alarma emite un sonido audible una vez que el ciclo de secado ha terminado. El quitar la ropa con prontitud al final del ciclo reduce la formación de arrugas.

Presione la ALARMA hasta seleccionar el volumen deseado, "Si" se encenderá.

NOTA: Cuando se selecciona el ajuste de Protección anti arrugas y la Alarma está encendida, se escuchará el tono cada 20 minutos hasta que se saque la ropa o hasta que el período de Protección anti arrugas se haya terminado.

6

LUCES DE ESTADO DEL CICLO

Las luces indican el progreso de los ciclos de secado.

7

INTELLIDRY™

Detecta la humedad en la carga o la temperatura del aire y se apaga cuando la carga alcanza el nivel de sequedad seleccionado. Le proporciona el mejor secado en el tiempo más corto. El secado varía según el tipo de tela, el tamaño de la carga y el ajuste de sequedad.

GUÍA DE CICLOS – AUTO CICLOS

No todos los ciclos y ajustes están disponibles en todos los modelos. Los ajustes y las opciones que se muestran en **negrita** son los ajustes por defecto para ese ciclo.

AUTO CICLO - Detecta la humedad en la carga o la temperatura del aire y se apaga cuando la carga alcanza el nivel de sequedad seleccionado. Le proporciona el mejor secado en el tiempo más corto. El tiempo del secado varía según el tipo de tela, el tamaño de la carga y el ajuste de sequedad.

Dependiendo del modelo, la temperatura puede seleccionarse con la perilla de ciclos o ser un control por separado.

Artículos para secar:	Ciclo:	Tiempo por defecto:	Opciones disponibles:	Detalles de los ciclos:
Pantalones de mezclilla, ropa de trabajo pesada, toallas	Pesado	N/A	Temperatura Protección anti arrugas	Le proporciona el mejor secado en el tiempo más corto. El tiempo de secado varía según el tipo de tela, el tamaño de la carga y el ajuste de sequedad.
Ropa de trabajo, telas de peso mediano, sábanas	Normal	N/A	Temperatura Protección anti arrugas	Seleccione una temperatura de secado según las telas de su carga. Si tiene duda respecto a la temperatura que debe seleccionar para una carga de ropa, elija el ajuste más bajo en vez del ajuste más alto.
Ropa informal, camisas, pantalones, artículos livianos	Control de arrugas	N/A	Temperatura Protección anti arrugas	

GUÍA DE CICLOS – CICLOS MANUALES

No todos los ciclos y ajustes están disponibles en todos los modelos. Los ajustes y las opciones que se muestran en **negrita** son los ajustes por defecto para ese ciclo.

CICLO MANUAL - Hará funcionar la secadora durante el tiempo especificado en el control. Dependiendo del modelo, la temperatura puede seleccionarse con la perilla de ciclos o ser un control por separado.

Artículos para secar:	Ciclo:	Temperatura de secado:	Available Options:	Cycle Details:
Cualquier carga	Ciclos manuales	Cualquiera	Temperatura Protección anti arrugas	Seca los artículos hasta dejarlos semisecos para los artículos que no necesitan un ciclo completo de secado. Seleccione una temperatura de secado según las telas de su carga. Si tiene duda respecto a la temperatura que debe seleccionar para una carga de ropa, elija el ajuste más bajo en vez del ajuste más alto.
Goma, plástico, telas sensibles al calor	Ciclos manuales	Sólo aire	Temperatura Protección anti arrugas	Use un ajuste Sólo aire para artículos de espuma, goma, plástico o telas sensibles al calor.

Cómo fijar la temperatura de secado

Si su secadora tiene múltiples ajustes de calor:

Se puede usar un ajuste de temperatura alto para secar artículos pesados tales como toallas y ropa de trabajo.

Se puede usar un ajuste de temperatura Baja a Media para secar artículos de peso mediano tales como sábanas, blusas, vestidos, ropa interior, telas de planchado permanente y algunos tejidos de punto.

Use un ajuste Sólo aire para artículos de espuma, goma, plástico o telas sensibles al calor.

Seque en el tendedero las telas laminadas o tratadas.

NOTA: Si tiene dudas respecto a la temperatura que debe seleccionar para distintas cargas de ropa, consulte las instrucciones de cuidado de las etiquetas.

USO DE SU SECADORA

⚠ ADVERTENCIA



Peligro de Explosión

Mantenga los materiales y vapores inflamables, tales como la gasolina, alejados de la secadora.

No seque ningún artículo que haya tenido alguna vez cualquier sustancia inflamable (aún después de lavarlo).

No seguir estas instrucciones puede ocasionar la muerte, explosión o incendio.

⚠ ADVERTENCIA



Peligro de Incendio

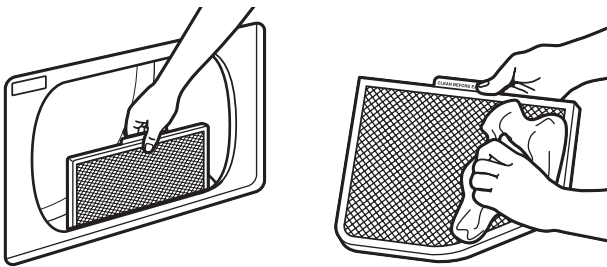
Ninguna lavadora puede eliminar completamente el aceite.

No seque ningún artículo que haya tenido alguna vez cualquier tipo de aceite (incluyendo los aceites de cocina).

Los artículos que contengan espuma, hule o plástico deben secarse en un tendedero o usando un Ciclo de Aire.

No seguir estas instrucciones puede ocasionar la muerte o un incendio.

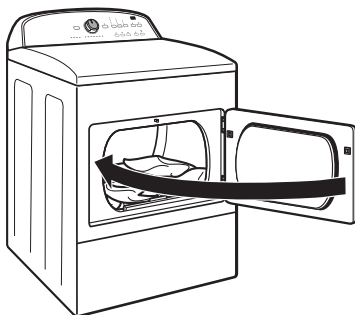
1. Limpie el filtro de pelusa



Limpie el filtro de pelusa antes de cada carga. Jale el filtro de pelusa directamente hacia arriba. Quite la pelusa enrollándola con los dedos. No enjuague ni lave el filtro para quitar la pelusa. Empuje el filtro de pelusa firmemente hasta que quede en su lugar.

Para obtener más información sobre la limpieza, vea "Cuidado de la secadora".

2. Cargue la secadora



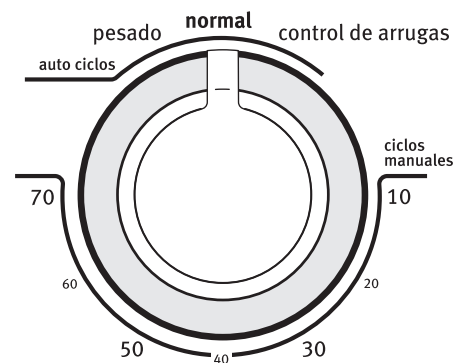
Ponga la ropa en la secadora. Cierre la puerta. No sobrecargue la secadora; las prendas deben poder girar libremente.

3. Presione ENCENDIDO



Presione el botón de ENCENDIDO para encender la secadora.

4. Seleccione el ciclo deseado



Seleccione el ciclo deseado para su carga. Consulte "Guía de ciclos" o la pantalla para obtener más información de cada ciclo.

5. Cómo fijar los modificadores

alta

media

baja

sólo aire

si

si

temperatura

protección
anti arrugas

alarma

ajuste de ciclo

Los ajustes por defecto del ciclo se mostrarán. Para algunos ciclos, podrá elegir distintos ajustes presionando el botón para dicho ajuste. La duración se puede ajustar sólo para los Ciclos Manuales.

NOTA: No todos los modificadores están disponibles con todos los ciclos.

6. Presione INICIO/PAUSA para iniciar el ciclo



Presione el botón de INICIO/PAUSA para comenzar el ciclo.

7. Saque las prendas en cuanto termine el ciclo



Saque las prendas en cuanto se haya completado el ciclo para reducir las arrugas. Use la característica de Prevención de arrugas para evitar que se formen arrugas cuando no pueda sacar la carga de la secadora en cuanto se detiene.

CUIDADO DE LA SECADORA

Limpieza del lugar donde está la secadora

Mantenga el área donde está la secadora despejada y libre de artículos que pudieran obstruir el flujo de aire para el funcionamiento adecuado de la secadora. Esto incluye despejar las pilas de ropa que estén frente a la secadora.

⚠ ADVERTENCIA



Peligro de Explosión

Mantenga los materiales y vapores inflamables, como la gasolina, lejos de la secadora.

Coloque la secadora a un mínimo de 460 mm sobre el piso para la instalación en un garaje.

No seguir estas instrucciones puede ocasionar la muerte, explosión o incendio.

Limpieza del interior de la secadora

Para limpiar el tambor de la secadora

1. Aplique un limpiador líquido doméstico no inflamable al área manchada del tambor y frote con un paño suave hasta que desaparezca la mancha.
2. Limpie el tambor minuciosamente con un paño húmedo.
3. Ponga a funcionar la secadora con una carga de ropa limpia o toallas para secar el tambor.

NOTA: Las prendas de colores que destiñen tales como mezclillas o artículos de algodón de colores vivos, pueden teñir el interior de la secadora. Estas manchas no dañan su secadora ni mancharán las cargas futuras de ropa. Seque estos artículos al revés para evitar que se manche el tambor.

Eliminación de pelusa acumulada

En el interior de la carcasa de la secadora

Según el uso de la secadora, se debe quitar la pelusa cada 2 años, o con más frecuencia. La limpieza deberá efectuarla un representante de servicio calificado.

En el ducto de escape

La pelusa debe ser quitada cada 2 años, o con más frecuencia, de acuerdo con el uso de la secadora.

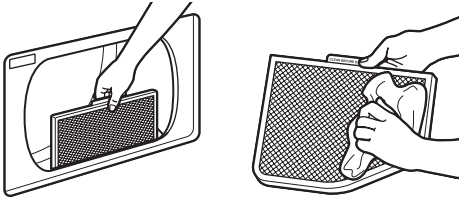
Limpeza del filtro de pelusa

Limpeza de cada carga

El filtro de pelusa está localizado en la abertura de la puerta de la secadora. Un filtro obstruido con pelusa puede aumentar el tiempo de secado.

Para limpiar:

1. Jale el filtro de pelusa en sentido recto hacia arriba. Quite la pelusa del filtro enrollándola con sus dedos. No enjuague ni lave el filtro para quitar la pelusa.



2. Empuje el filtro de pelusa firmemente de vuelta en su lugar.

IMPORTANTE:

- No ponga a funcionar la secadora con un filtro de pelusa flojo, dañado, obstruido o sin él. El hacerlo puede causar un sobrecalentamiento y dañar tanto la secadora como la ropa.
- Si al quitar la pelusa del filtro, ésta cae en la secadora, revise la capota de ventilación y quite la pelusa. Vea "Requisitos de ventilación".

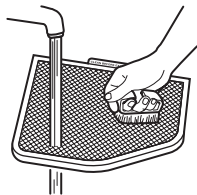
Limpeza según la necesidad

Los residuos de detergente de lavandería y suavizante de telas pueden acumularse en el filtro de pelusa. Esta acumulación puede ocasionar tiempos de secado más prolongados para su ropa, o hacer que la secadora se detenga antes de que su carga esté completamente seca. El filtro está probablemente obstruido si la pelusa se cae del mismo mientras está dentro de la secadora.

Limpe el filtro de pelusa con un cepillo de nailon cada 6 meses o con más frecuencia si éste se obstruye debido a la acumulación de residuos.

Para lavarlo:

1. Quite la pelusa del filtro enrollándola con sus dedos.
2. Moje ambos lados del filtro de pelusa con agua caliente.
3. Moje un cepillo de nylon con agua caliente y detergente líquido. Talle el filtro de pelusa con el cepillo para quitar la acumulación de residuos.



4. Enjuague el filtro con agua caliente.
5. Seque meticulosamente el filtro de pelusa con una toalla limpia. Vuelva a colocar el filtro en la secadora.

Cuidado para las vacaciones, el almacenaje o en caso de mudanza

Instale y guarde su secadora en un lugar donde no se congele. Debido a que queda un poco de agua en las mangueras, el congelamiento de la misma podría dañar su secadora. Si va a guardar o trasladar su secadora durante una temporada de invierno riguroso, acondiciónela para el invierno.

Cuidado durante la falta de uso o el almacenamiento

Ponga la secadora a funcionar sólo cuando esté en casa. Si va a salir de vacaciones o no va a usar su secadora por un tiempo prolongado, usted deberá:

1. Desenchufar la secadora o desconectar el suministro de energía.
2. Limpiar el filtro de pelusa. Vea "Limpeza del filtro de pelusa".

Cuidado para la mudanza

Para secadoras conectadas con cable de suministro eléctrico:

1. Desenchufe el cable de suministro de energía.
2. Modelos con vapor únicamente: Cierre el grifo de agua.
3. Modelos con vapor únicamente: Desconecte la manguera de entrada de agua del grifo y elimine el agua de la manguera. Quite la manguera de la parte posterior de la secadora. Transporte la manguera en forma separada.
4. Asegúrese de que las patas niveladoras estén fijas en la base de la secadora.
5. Use cinta adhesiva protectora para asegurar la puerta de la secadora.

⚠ ADVERTENCIA



Peligro de Choque Eléctrico

Desconecte el suministro de energía antes de darle mantenimiento.

Vuelva a colocar todos los componentes y paneles antes de hacerlo funcionar.

No seguir estas instrucciones puede ocasionar la muerte o choque eléctrico.

Para secadoras con cableado directo:

1. Apague la electricidad en la caja de fusibles o cortacircuitos.
2. Desconecte el cableado.
3. Modelos con vapor únicamente: Cierre el grifo de agua.
4. Modelos con vapor únicamente: Desconecte la manguera de entrada de agua del grifo y elimine el agua de la manguera. Transporte la manguera en forma separada.
5. Asegúrese de que las patas niveladoras estén fijas en la base de la secadora.
6. Use cinta adhesiva protectora para asegurar la puerta de la secadora.

Cómo volver a instalar la secadora

Siga las Instrucciones de instalación para ubicar, nivelar y conectar la secadora.

Cómo cambiar los ajustes de los Auto Ciclos para aumentar el tiempo de secado

Si todas las cargas de los Auto Ciclos no están tan secas como usted quisiera, puede cambiar los ajustes por defecto para aumentar el nivel de sequedad por defecto.

Los ajustes de secado por Auto Ciclo pueden regularse para adecuarse a las diferentes instalaciones, las condiciones del medio ambiente o las preferencias personales. Este cambio se retendrá y afectará todos los Auto Ciclos, no solamente el ciclo o la carga actual. Hay 3 ajustes de secado, los cuales se muestran usando las luces de "estado" (Mojado, Húmedo, Enfriamiento).

- 1 Nivel de sequedad prefijado de fábrica.
- 2 Prendas ligeramente más secas, 15 % más de tiempo de secado.
- 3 Prendas mucho más secas, 30 % más de tiempo de secado.

Para cambiar los ajustes de secado:

NOTA: Los ajustes no pueden cambiarse mientras la secadora esté funcionando o haciendo una pausa. La secadora deberá estar en el modo de espera (el botón de Encendido está en apagado) para regular los ajustes por defecto.

1. Antes de poner un ciclo en marcha, presione y sostenga el botón de TEMPERATURA por 6 segundos.
2. Presione el botón de TEMPERATURA para seleccionar el nivel de sequedad que se muestra en pantalla LED:
Luz de Mojado encendida = nivel 1, luces de Mojado y Húmedo encendidas = nivel 2, y luces de Mojado, Húmedo y Enfriamiento encendidas = nivel 3.
3. Presione INICIO/PAUSA para guardar el nuevo ajuste de nivel de sequedad.

SOLUCIÓN DE PROBLEMAS

Pruebe primero las soluciones sugeridas aquí o visite nuestro sitio de internet y consulte "Preguntas que se hacen con frecuencia", para evitar posiblemente el costo de una visita de servicio técnico...
<http://www.maytag.com/help>

Si usted experimenta lo siguiente	Causas posibles	Solución
Las prendas no se secan satisfactoriamente, los tiempos de secado son demasiado largos o la carga está demasiado caliente	Filtro de pelusa obstruido con pelusa.	El filtro de pelusa debe ser limpiado antes de cada carga.
	Seleccionado un ciclo de Sólo aire.	Seleccione el ciclo correcto para el tipo de prendas que se van a secar. Vea "Guía de ciclos".
	La carga es demasiado voluminosa y pesada para secarse con rapidez.	Separe la carga de modo que pueda rotar libremente.
	El ducto de escape o la capota de ventilación exterior está obstruido con pelusa, restringiendo el flujo del aire.	Ponga a funcionar la secadora unos 5 a 10 minutos. Ponga su mano debajo de la capota de ventilación exterior para verificar el movimiento del aire. Si no lo siente, limpie la pelusa del sistema de ventilación o reemplace el ducto de escape con uno de metal pesado o de metal flexible. Vea las Instrucciones de instalación.
	Las hojas del suavizante de telas están bloqueando la rejilla.	Use únicamente una hoja de suavizante de telas y úsela una sola vez.
	El ducto de escape no es el largo correcto.	Controle el ducto de escape para verificar que no sea demasiado largo o no dé demasiadas vueltas. Una ventilación larga aumentará el tiempo de secado. Vea las Instrucciones de instalación.
	El ducto de escape no tiene el diámetro correcto.	Use un material de ventilación de 4" (102 mm) de diámetro.
	La secadora está ubicada en una habitación cuya temperatura está debajo de 45° F (7° C).	El funcionamiento apropiado de los ciclos de la secadora requiere temperaturas superiores a 45°F (7°C).
	La secadora está ubicada en un clóset.	Las puertas del armario deben tener aberturas de ventilación en la parte superior e inferior de la puerta. La parte anterior de la secadora necesita un mínimo de 1" (25 mm) de espacio y, para la mayoría de las instalaciones, la parte posterior necesita 5" (127 mm). Vea las Instrucciones de instalación.
La secadora no funciona	La puerta no está cerrada por completo.	Cerciórese de que la puerta de la secadora esté bien cerrada.
	No se presionó por suficiente tiempo o con firmeza el botón de Inicio/Pausa.	Presione y SOSTENGA el botón de INICIO/PAUSA hasta que escuche el tambor de la secadora moviéndose.
	Hay un fusible de la casa fundido o se disparó el cortacircuitos.	Las secadoras eléctricas utilizan 2 fusibles o cortacircuitos domésticos. El tambor quizás rote pero sin calor. Reemplace el fusible o reposicione el cortacircuitos. Si el problema continúa, llame a un electricista.

SOLUCIÓN DE PROBLEMAS

Pruebe primero las soluciones sugeridas aquí o visite nuestro sitio de internet y consulte “Preguntas que se hacen con frecuencia”, para evitar posiblemente el costo de una visita de servicio técnico...
<http://www.maytag.com/help>

Si usted experimenta lo siguiente	Causas posibles	Solución
La secadora no funciona (cont.)	Fuente de suministro eléctrico incorrecto.	Las secadoras eléctricas requieren un suministro eléctrico de 240 voltios. Verifique con un electricista calificado.
	Tipo de fusible equivocado.	Asegúrese de que tiene el fusible correcto.
Sonidos raros	La secadora no se utilizó por cierto tiempo.	Si la secadora ha estado en desuso por una temporada, podrá oírse un ruido de golpeteo durante los primeros minutos de funcionamiento.
	Una moneda, botón o sujetapapeles hay entre el tambor y la parte frontal o trasera de la secadora.	Revise los bordes frontales y posteriores del tambor para verificar si hay objetos pequeños. Limpie los bolsillos antes del lavado.
	Es una secadora a gas.	El chasquido de la válvula de gas es un sonido de funcionamiento normal.
	Las cuatro patas no están instaladas y la secadora no está nivelada de frente hacia atrás y de lado a lado.	La secadora puede vibrar si no está instalada adecuadamente. Vea las Instrucciones de instalación.
	La ropa está enredada o hecha un ovillo.	Si la carga está hecha un ovillo, ésta rebotará haciendo vibrar a la secadora. Separe los artículos de la carga y reinicie la secadora.
Sin calor	Hay un fusible de la casa fundido o se disparó el cortacircuitos.	El tambor quizás rote pero sin calor. Las secadoras eléctricas utilizan 2 fusibles o cortacircuitos domésticos. Reemplace el fusible o repositone el cortacircuitos. Si el problema continúa, llame a un electricista.
	Válvula de la línea de suministro cerrada.	En el caso de secadoras a gas, ¿está la válvula abierta en la línea de suministro?
	Fuente de suministro eléctrico incorrecto.	Las secadoras eléctricas requieren un suministro eléctrico de 240 voltios. Verifique con un electricista calificado.
El tiempo del ciclo es demasiado corto	El Auto Ciclo termina muy rápido.	Quizás la carga no está haciendo contacto con las bandas del sensor. Nivele la secadora. Use el Ciclos Manuales para cargas muy pequeñas. Cambie el ajuste del nivel de secado en los Auto Ciclos. Aumentar o disminuir el nivel de secado cambiará la cantidad de tiempo de secado en un ciclo. Si las cargas terminan siempre demasiado pronto, también consulte “Cómo cambiar los ajustes de los Auto Ciclos para aumentar el tiempo de secado”.
Pelusa en la carga	El filtro de pelusa está obstruido.	El filtro de pelusa debe ser limpiado antes de cada carga.
Manchas en la carga o en el tambor	No se usó de modo apropiado el suavizante de telas para secadoras.	Agregue las hojas del suavizante de telas para secadora al comienzo del ciclo. Las hojas del suavizante de telas que se agregan a una carga parcialmente seca pueden manchar las prendas. Las manchas en el tambor son causadas por los tintes en las prendas (habitualmente los pantalones de mezclilla). Éstas no se transferirán a otras prendas.
Las cargas están arrugadas	No se quitó la carga de la secadora al terminar el ciclo.	Seleccione la característica de Protección anti arrugas para hacer girar la carga sin calor, para evitar las arrugas.
	Se sobrecargó la secadora.	Seque cargas menos voluminosas que puedan rotar con libertad.
Olores	Pintó, tiñó o barnizó recientemente en el área donde se encuentra su secadora.	Si es así, ventile el área. Cuando los olores y el humo se hayan ido del área, vuelva a lavar la ropa y luego séquela.
	Usando la secadora eléctrica por primera vez.	El nuevo elemento calentador eléctrico puede emitir un olor. El olor desaparecerá después del primer ciclo.
La carga está demasiado caliente	Se quitaron los artículos de lavado de la secadora antes del final del ciclo.	Deje que termine el ciclo de Enfriamiento antes de quitar las prendas de la secadora. La carga se enfría lentamente en todos los ciclos para reducir las arrugas y hacer que la carga sea más fácil de manipular. Es posible que los artículos que se han quitado antes del Enfriamiento queden muy calientes al tacto.
	Se ha usado un ciclo con temperatura Alto o se ha fijado un control separado de temperatura en Alto.	Seleccione una temperatura más baja y use un ciclo de secado automático. Estos ciclos detectan el nivel de humedad en la carga y se apagan cuando la carga alcanza el grado de sequedad seleccionado. Esto reduce el exceso de secado.

GARANTÍA DE LOS PRODUCTOS DE LAVANDERÍA MAYTAG®

GARANTÍA LIMITADA

Durante un año a partir de la fecha de compra, siempre y cuando se dé a este electrodoméstico principal un uso y mantenimiento de conformidad con las instrucciones adjuntas o provistas con el producto, la marca Maytag de Whirlpool Corporation o Whirlpool Canada LP (en lo sucesivo denominada "Maytag"), se hará cargo del costo de las piezas especificadas de fábrica y del trabajo de reparación para corregir defectos en los materiales o en la mano de obra, existentes en el momento de la compra de este electrodoméstico principal.

SU ÚNICO Y EXCLUSIVO RECURSO SEGÚN LOS TÉRMINOS DE ESTA GARANTÍA LIMITADA SERÁ EL DE REPARAR EL PRODUCTO SEGÚN SE ESTIPULA EN LA PRESENTE. El servicio deberá ser suministrado por una compañía de servicio designada por Maytag. Esta garantía limitada es válida solamente en Estados Unidos o en Canadá y se aplica solamente cuando el electrodoméstico principal se use en el país en el que se ha comprado. Esta garantía limitada entrará en vigor a partir de la fecha de la compra del consumidor original. Se requiere una prueba de la fecha de compra original para obtener servicio bajo esta garantía limitada.

EXCLUSIONES DE LA GARANTÍA

Esta garantía limitada no cubre:

1. Piezas de repuesto o mano de obra si este electrodoméstico principal se usa de un modo diferente al doméstico normal de una familia, o cuando se use de un modo contrario a las instrucciones publicadas para el usuario u operador y/o las instrucciones de instalación.
2. Visitas de servicio técnico para corregir la instalación de su electrodoméstico principal, para enseñarle a usar su electrodoméstico principal, para cambiar o reparar fusibles domésticos o para corregir la instalación eléctrica o de la tubería de la casa.
3. Visitas de servicio técnico para reparar o reemplazar focos para electrodomésticos, filtros de aire o filtros de agua. Las piezas de consumo están excluidas de la cobertura de la garantía.
4. Daños causados por accidente, alteración, uso indebido, abuso, incendio, inundación, actos fortuitos, instalación incorrecta, instalación que no esté de acuerdo con los códigos eléctricos o de plomería, o el empleo de productos no aprobados por Maytag.
5. Daños estéticos, incluyendo rayaduras, abolladuras, desportilladuras u otro daño al acabado de su electrodoméstico principal, a menos que el mismo sea debido a defectos en los materiales o la mano de obra y se le informe a Maytag en un lapso de 30 días a partir de la fecha de compra.
6. Recogida y entrega. Este electrodoméstico principal se ha destinado para ser reparado en el hogar.
7. Reparaciones de piezas o sistemas como resultado de modificaciones no autorizadas que se hayan efectuado en el electrodoméstico.
8. Gastos de viaje y transporte para obtener servicio para el producto, si su electrodoméstico principal está ubicado en un lugar remoto en el cual no haya disponible un técnico de servicio autorizado por Maytag.
9. La remoción y reinstalación de su electrodoméstico principal, si estuviera instalado en un lugar inaccesible o si no estuviera instalado de conformidad con las instrucciones de instalación publicadas por Maytag.
10. Piezas de repuesto o mano de obra para la reparación en electrodomésticos principales con números de modelo/serie originales que se hayan removido, alterado o que no puedan ser identificados con facilidad.

El costo de la reparación o del reemplazo bajo estas circunstancias excluidas correrá por cuenta del cliente.

EXCLUSIÓN DE GARANTÍAS IMPLÍCITAS

LAS GARANTÍAS IMPLÍCITAS, INCLUYENDO CUALQUIER GARANTÍA IMPLÍCITA DE COMERCIABILIDAD O GARANTÍA IMPLÍCITA DE CAPACIDAD PARA UN PROPÓSITO PARTICULAR, SERÁN LIMITADAS A UN AÑO O AL PERÍODO MÁS CORTO PERMITIDO POR LEY. Algunos estados y provincias no permiten la limitación de la duración de garantías implícitas de comercialización o aptitud, de modo que la limitación arriba indicada quizás no le corresponda. Esta garantía le otorga derechos legales específicos, y es posible que usted tenga también otros derechos que varían de un estado a otro o de una provincia a otra.

EXCLUSIÓN DE DECLARACIONES FUERA DE LA GARANTÍA

Maytag no hace declaraciones acerca de la calidad, durabilidad o necesidad de servicio técnico o reparación de este electrodoméstico principal aparte de las declaraciones incluidas en esta Garantía. Si usted desea una garantía con una duración más prolongada o más completa que la garantía limitada que se incluye con este electrodoméstico principal, deberá dirigirse a Maytag o a su distribuidor acerca de la compra de una garantía extendida.

LIMITACIÓN DE RECURSOS; EXCLUSIÓN DE DAÑOS INCIDENTALES Y CONSECUENTES

SU ÚNICO Y EXCLUSIVO RECURSO SEGÚN LOS TÉRMINOS DE ESTA GARANTÍA LIMITADA SERÁ EL DE REPARAR EL PRODUCTO SEGÚN SE ESTIPULA EN LA PRESENTE. MAYTAG NO SE RESPONSABILIZARÁ POR DAÑOS INCIDENTALES O CONSECUENTES. Algunos estados y provincias no permiten la exclusión o limitación de daños incidentales o consecuentes, de modo que estas limitaciones y exclusiones quizás no le correspondan. Esta garantía le otorga derechos legales específicos, y es posible que usted tenga también otros derechos que varían de un estado a otro o de una provincia a otra.

Si usted se encuentra fuera de los cincuenta Estados Unidos y Canadá, póngase en contacto con su distribuidor autorizado de Maytag para determinar si corresponde otra garantía.

Si considera que necesita servicio de reparación, consulte primero la sección "Solución de problemas" del Manual de uso y cuidado. Si no ha podido resolver el problema después de consultar la sección "Solución de problemas", puede encontrar ayuda adicional en la sección "Ayuda o servicio técnico", o llamando a Maytag. En EE.UU., llame al **1-800-688-9900**. En Canadá, llame al **1-800-807-6777**.

10/11

Guarde este libro y su comprobante de compra juntos para referencia futura. Usted deberá proporcionar el comprobante de la compra o una fecha de instalación para obtener servicio bajo la garantía.

Escriba la siguiente información acerca de su electrodoméstico principal para ayudarle mejor a obtener asistencia o servicio técnico si alguna vez llegara a necesitarlo. Deberá tener a mano el número completo del modelo y de la serie. Usted puede encontrar esta información en la etiqueta con el número de modelo y de serie ubicada en el producto.

Nombre del distribuidor _____

Dirección _____

Número de teléfono _____

Número de modelo _____

Número de serie _____

Fecha de compra _____

ASSISTANCE OR SERVICE

Before calling for assistance or service, please check "Troubleshooting" or visit www.maytag.com/help. It may save you the cost of a service call. If you still need help, follow the instructions below.

When calling, please know the purchase date and the complete model and serial number of your appliance. This information will help us to better respond to your request.

If you need replacement parts or to order accessories

We recommend that you use only Factory Specified Parts. These parts will fit right and work right because they are made with the same precision used to build every new MAYTAG® appliance.

To locate factory specified replacement parts, assistance in your area, or accessories:

Maytag Services, LLC
1-800-688-9900 www.maytag.com
1-800-901-2042 (Accessories)
www.maytag.com/accessories

or call your nearest designated service center or refer to your Yellow Pages telephone directory.

Our consultants provide assistance with

In the U.S.A.

- Features and specifications on our full line of appliances.
- Installation information.
- Specialized customer assistance (Spanish speaking, hearing impaired, limited vision, etc.).

You can write with any questions or concerns at:

Maytag Services, LLC
ATTN: CAIR® Center
P.O. Box 2370
Cleveland, TN 37320-2370

Please include a daytime phone number in your correspondence.

AYUDA O SERVICIO TÉCNICO

Antes de llamar para solicitar ayuda o servicio técnico, sírvase consultar "Solución de problemas" o visite www.maytag.com/help. Esto le podría ahorrar el costo de una visita de servicio técnico. Si considera que aún necesita ayuda, siga las instrucciones que aparecen a continuación.

Cuando llame, tenga a mano la fecha de compra y el número completo del modelo y de la serie de su electrodoméstico. Esta información nos ayudará a atender mejor a su pedido.

Si necesita piezas de repuesto o para pedir accesorios

Recomendamos que use solamente piezas especificadas de fábrica. Estas piezas encajarán bien y funcionarán bien ya que están fabricadas con la misma precisión empleada en la fabricación de cada electrodoméstico nuevo de MAYTAG®.

Para conseguir piezas especificadas de fábrica, para obtener asistencia en su localidad o para accesorios:

Maytag Services, LLC
1-800-688-9900 www.maytag.com
1-800-901-2042 (Accesorios)
www.maytag.com/accessories

O bien llame al centro de servicio designado más cercano a su localidad o vea el directorio telefónico de las Páginas amarillas.

Nuestros consultores ofrecen ayuda para

En los EE.UU.

- Características y especificaciones de nuestra línea completa de electrodomésticos.
- Información sobre la instalación.
- Asistencia especializada para el cliente (habla hispana, problemas de audición, visión limitada, etc.).

Usted puede escribir con cualquier pregunta o preocupación a:

Maytag Services, LLC
ATTN: CAIR® Center
P.O. Box 2370
Cleveland, TN 37320-2370

Por favor incluya en su correspondencia un número de teléfono en el que se le pueda localizar durante el día.

W10486877A

© 2012 Whirlpool Corporation.
All rights reserved.
Todos los derechos reservados.

® Registered Trademark/™ Trademark of Maytag Corporation or its related companies.
®/Marca registrada/™ Marca de comercio de Maytag Corporation o sus compañías asociadas.

04/12
Printed in U.S.A.
Impreso en EE.UU.